

SPECIFICATIONS

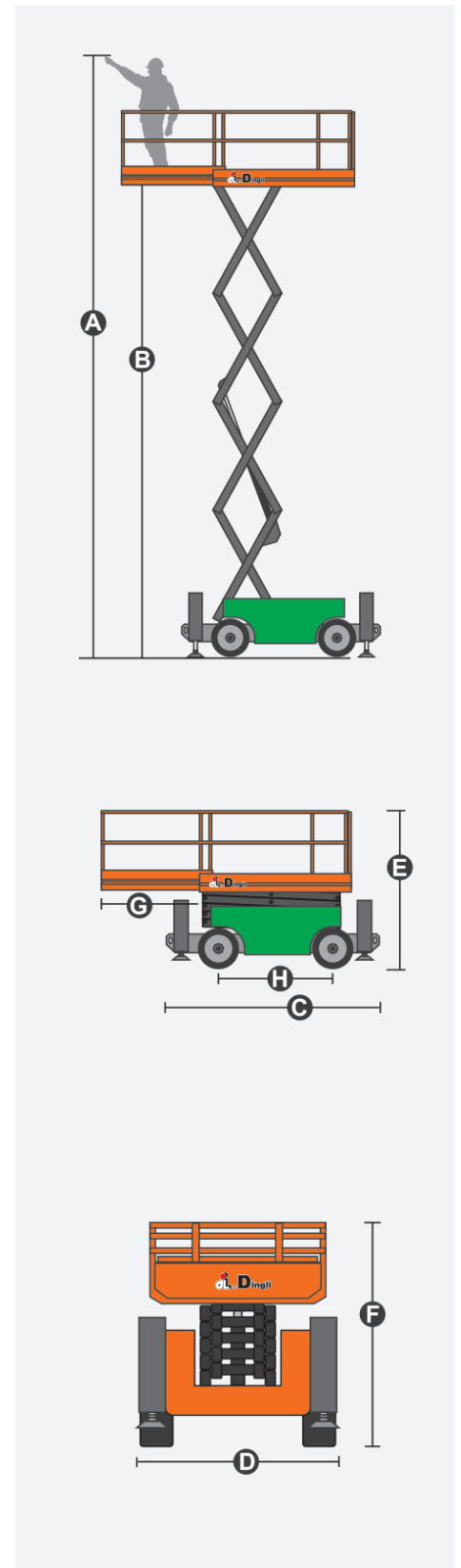
| Size | Metric | British |
|--|-------------|-------------------|
| Max. Working Height A | 14.30m | 46ft 11in |
| Max. Platform Height B | 12.30m | 40ft 4in |
| Overall Length(Without Outriggers) | 3.19m | 10ft 6in |
| Overall Length(With Outriggers) C | 3.84m | 12ft 7in |
| Overall Width D | 1.76m | 5ft 9in |
| Overall Height(Rails Up) E | 2.74m | 9ft |
| Overall Height(Rails Down) F | 1.97m | 6ft 6in |
| Platform Size(Length×Width) | 2.88m×1.52m | 9ft 5in × 5ft |
| Platform Extension Size G | 1.43m | 4ft 8in |
| Ground Clearance(Stowed/Raised) | 0.24m | 9in |
| Wheelbase H | 2.29m | 7ft 6in |
| Turning Radius(Inside/Outside) | 2.15m/4.85m | 7ft 1in/15ft 11in |
| Tyres | 26×12-16.5 | 26×12-16.5 |

| Performance | | |
|----------------------|----------|----------|
| S.W.L | 363kg | 800lb |
| S.W.L On Extension | 136kg | 299lb |
| Max. Occupants | 3 | 3 |
| Gradeability | 40% | 40% |
| Travel Speed(Stowed) | 6.3km/h | 6.3km/h |
| Travel Speed(Raised) | 0.45km/h | 0.45km/h |
| Max. Working Slope | 1.5°/3° | 1.5°/3° |
| Up/Down Speed | 45/46sec | 45/46sec |

| Weight | | |
|------------------------------------|--------|---------|
| Overall Weight(Without Outriggers) | 5150kg | 11353lb |
| Overall Weight(With Outriggers) | 5150kg | 11353lb |

| Power | | |
|----------------|---------------|---------------|
| Hydraulic Tank | 71L | 71L |
| Battery | 48V/320Ah | 48V/320Ah |
| Charger | 48V/35A | 48V/35A |
| Driving Motor | 2×32VAC/3.3kW | 2×32VAC/3.3kW |
| Lifting Motor | DC 48V/3.8kW | DC 48V/3.8kW |

* The platform height plus 2m (7ft in British standard) is the working height.
Standards Compliance



FEATURES

Standard Items

- Proportional Joystick Controls
- Self-Locking Gates
- One-Way Platform Extension Deck
- 4×2 Drive
- Drivable At Full Height
- Emergency Descent System
- Tubing Explosion-Proof System
- Onboard Fault Diagnostic System
- Tilt Alarm
- Motion Alarm
- Horn
- Hour Meter
- Charging Protection System
- Flashing LED Beacon
- Foldable Guard Rails
- Drive Enable
- Platform Load Sense System
- Manual Brake Release
- Lanyard Attachment Point
- Standard Transport Forklift Pockets
- Automatic Leveling Hydraulic Outriggers
- Oscillating Axle Chassis
- Emergency Stop Button

Optional Items

Factory Tyres

- Foam-Filled Tyres **
- Non-Marking Tyres

Factory Hydraulic Oil

- No. 46 Hydraulic Oil (Mineral Oil)**

Additional Items

- GPS Unit
- Biodegradable Hydraulic Oil
- AC Power Cord to Platform
- Air Line to Platform
- Work Light Package
- Footpedal Switch
- Anti-Collision Bar on Platform
- Visual Spirit Level
- Outrigger Pad Package



** Factory default, if you have other needs, please contact EPS.

Elevated Platform Services

40 Hands Road, Middleton, Christchurch
P. 0800 3773979
E. office@epsnz.co.nz
epsnz.co.nz

