

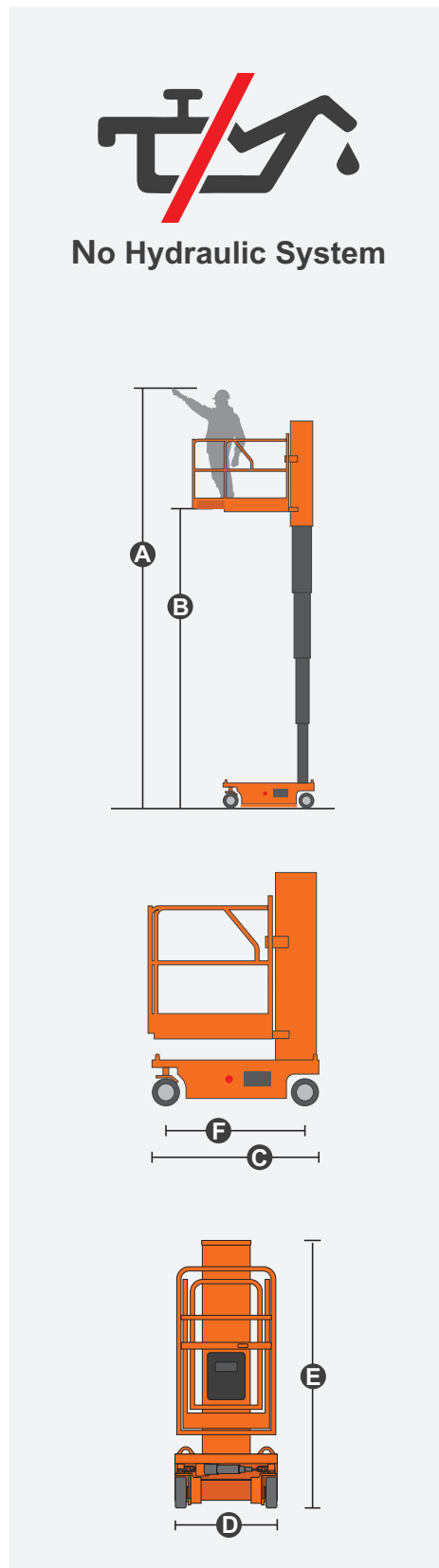
SPECIFICATIONS

Size	Metric	British
Max. Working Height A	6.7m	22ft
Max. Platform Height B	4.7m	15ft 5in
Overall Length C	1.45m	4ft 9in
Overall Width D	0.76m	2ft 6in
Overall Height E	1.99m	
Platform Size(Length×Width)	1×0.76m	3ft 3in×2ft 6in
Platform Extension Size	0.5m	1ft 8in
Ground Clearance(Stowed/Raised)	0.06m/0.014m	2in/1in
Wheelbase F	1.21m	4ft
Turning Radius(Inside/Outside)	0.6m/1.8m	2ft/5ft 11in
Tyres	Φ230×80mm	Φ230×80mm

Performance		
S.W.L	200kg	440lb
S.W.L On Extension	113kg	249lb
Max. Occupants	1	1
Gradeability	25%	25%
Travel Speed(Stowed)	3.6km/h	2.2mph
Travel Speed(Raised)	0.5km/h	0.31mph
Max. Working Slope	X-1.5° Y-3°	X-1.5° Y-3°
Up/Down Speed	28s/28s	28s/28s

Weight		
Overall Weight	990kg	2182lb

Power		
Battery	2×12V 115Ah	2×12V 115Ah
Charger	24V 15A	24V 15A
Driving Motor	2×24V 0.68kw	2×24V 0.68kw
Lifting Motor	24V 2.2kw	24V 2.2kw



FEATURES

Standard Items

- Proportional Controls
- Self-lock Gate On Platform
- Extended Platform
- Drivable At Full Height
- Non Marking Tyre
- 2WD
- Automatic Brake System
- Emergency Lowering System
- Emergency Stop Button
- Onboard Diagnostic System
- Tilt Sensor With Alarm
- All Motion Alarm
- Hour Meter
- Transport Tie Hole
- Charger Protection
- Flashing Beacon
- Automatic Pothole Protection

Additional Items

- Overload Sensor With Alarm
- Ultrasonic anti-collision sensor
- Foot Switch
- AC Power To Platform



Elevated Platform Services

40 Hands Road, Middleton, Christchurch
P. 0800 3773979
E. office@epsnz.co.nz
epsnz.co.nz

