

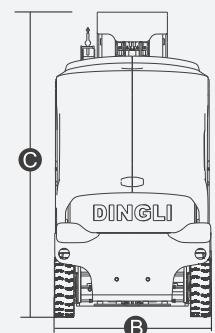
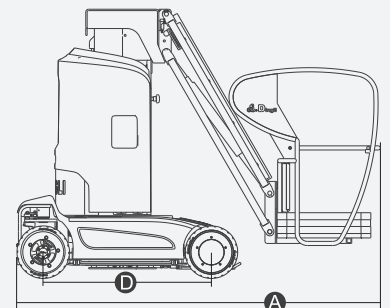
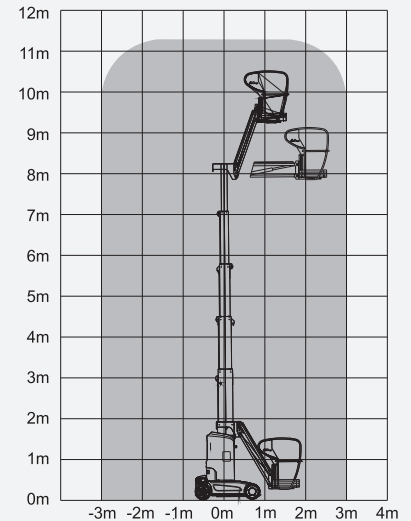
## SPECIFICATIONS

Size	Metric	British
Max. Working Height	11.20m	36ft 9in
Max. Platform Height	9.20m	30ft 2in
Max. Horizontal Reach	3.00m	9ft 10in
Up and Over Height	7.89m	25ft 11in
Overall Length <b>A</b>	2.53m	8ft 4in
Overall Width <b>B</b>	1.00m	3ft 3in
Overall Height <b>C</b>	1.99m	6ft 6in
Platform Size(Length/Width)	0.62m×0.87m	2ft 1in×2ft 10in
Ground Clearance(Stowed)	0.07m	3in
Ground Clearance(Raised)	0.019m	1in
Wheelbase <b>D</b>	1.22m	4ft
Turning Radius(Inside/Outside)	0.23/1.65m	9in/5ft 5in
Tyres	Φ381×127mm	1ft 3in×5in

Performance		
S.W.L	200kg	440lb
Max. Occupants	2	2
Gradeability	25%	25%
Max. Working Slope	2.5°	2.5°
Turret Rotation	345°	345°
Jib Movement	+70°/-60°	+70°/-60°
Travel Speed(Stowed)	4.5km/h	4.5km/h
Travel Speed(Raised)	0.5km/h	0.5km/h
Up/Down Speed	42/38sec	42/38sec

Weight		
Overall Weight	2950kg	6503lb

Power		
Battery	24V/240Ah	24V/240Ah
Charger	24V/30A	24V/30A
Driving Motor	24V/1.5kW	24V/1.5kW
Lifting Motor	24V/3kW	24V/3kW



## FEATURES

### Standard Items

- Standard Equipment
- Proportional Controls
- Automatic Pothole Protection
- Self-lock Gate On Platform
- Drivable At Full Height
- Charger Protection
- Non Marking Tyre
- 2WD
- Automatic Brake System
- Emergency Lowering System
- Flashing Beacon
- Emergency Stop Button
- Cylinder Holding Valve
- Onboard Diagnostic System
- Tilt Sensor With Alarm
- 345°Turret Rotation
- All Motion Alarm
- Horn
- Hour Meter
- Swing Out Components Cover

### Additional Items

- Overload Sensor With Alarm
- Platform Work Lights
- AC Power To Platform
- Antiextrusion Device
- Anticollision Device
- External Guardrail System
- Foot Switch



### Elevated Platform Services

40 Hands Road, Middleton, Christchurch  
P. 0800 3773979  
E. office@epsnz.co.nz  
epsnz.co.nz

